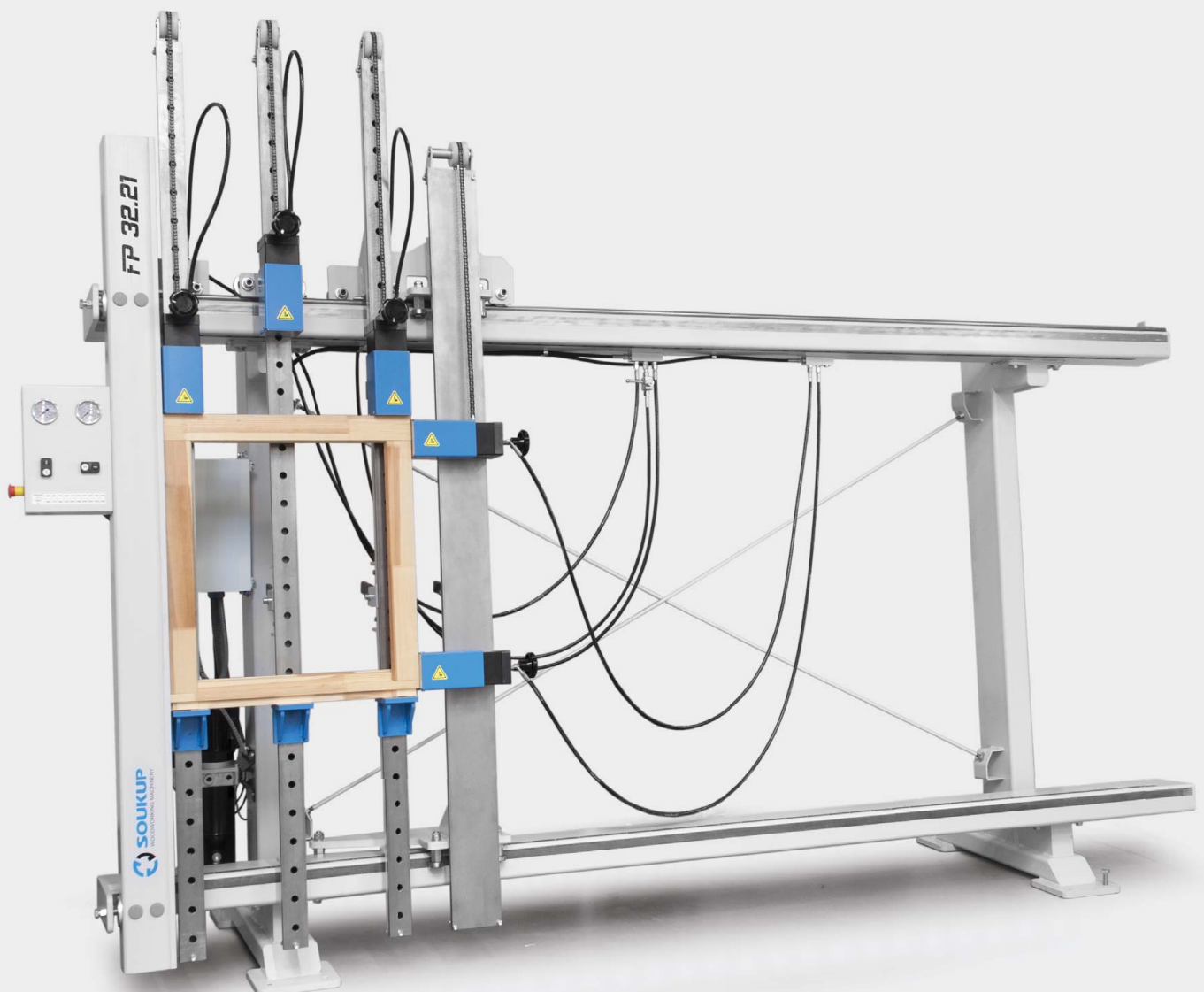


*inspired by
craftsmanship*

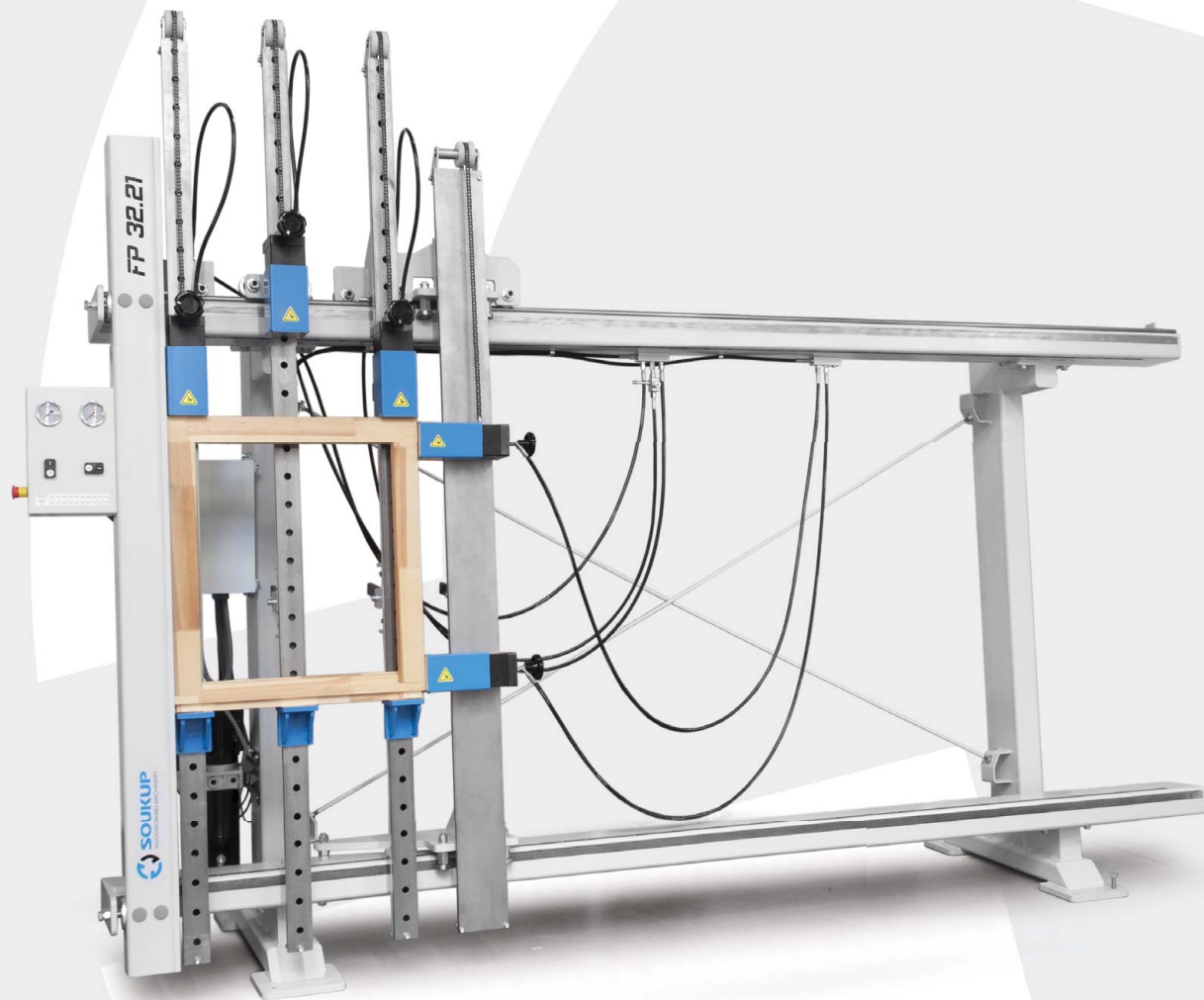
FP Series

Hydraulic frame press



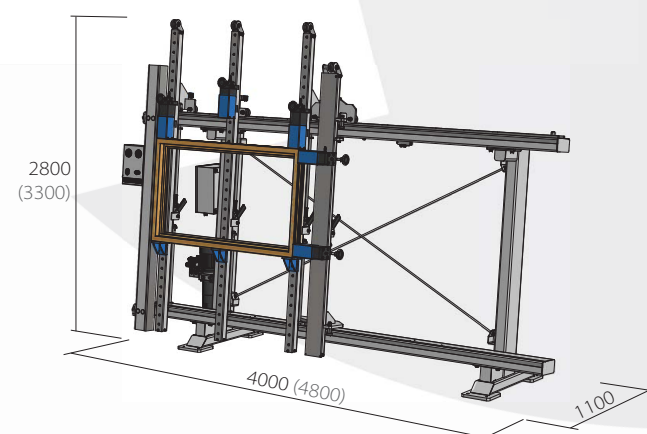
FP Series

Heavy duty designed electro-hydraulic frame press for assembling and gluing of window frames, sashes & doors and other components with either open or closed tenon joints. The press is equipped with three or four vertical clamping beams with counterbalanced hydraulic pistons. The horizontal end clamping beam is also complete with hydraulic adjustable pistons, the top one is counterbalanced. The vertical clamping beams ball bearing movement design enables rapid and precise variable positioning with lever locking pins, allowing unhindered gluing of large and very small frames accurately and precisely. With optional accessories it is possible to glue non-rectangular frames, solid wood panels and laminated scantlings.



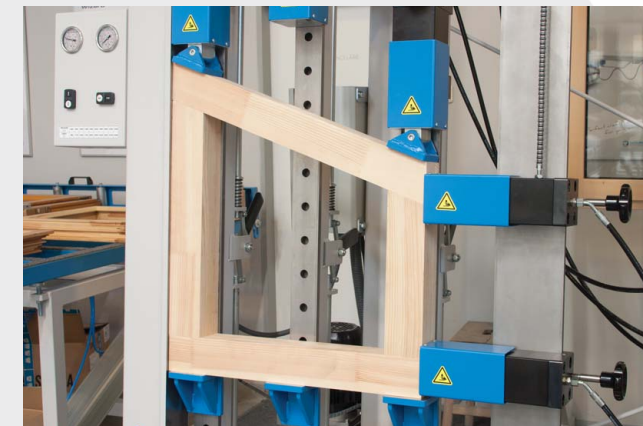
FP 32.21 – working area 3200 x 2100 mm
FP 40.26 – working area 4000 x 2600 mm

- hydraulic cylinders (1500 kgf piston pressure, 100 mm stroke)
- 3 vertical clamping beams (FP 32.21)
 4 vertical clamping beams (FP 40.26)
 with 1 piston per clamping beam, with self-locking pins, counterweight on chain
- 1 horizontal clamping beam with 2 pistons
 – top unit with counterweight on chain
- electrically operated central pump 0,75 kW (1HP)
- packaging size 4 (4,8) x 1,1 x 2,2 m, weight 1150 kg (1350 kg)

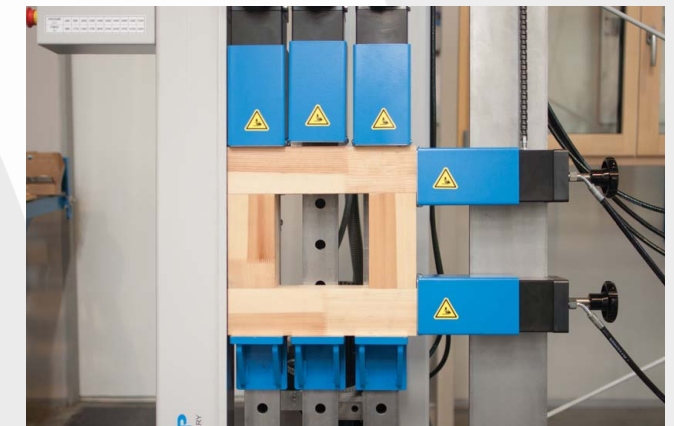


Optional:

- Additional vertical beams, pistons, special dimensions
- Hydraulic pump 1,5 kW (2HP) for piston pressure of 2500 kgf
- Swivel shoes for tilted frames
- 2 front hold down units for edge glued panels and laminating of scantlings
- Set of nylon counter profiled magnetic shoes for presquared components



Swivel shoes for tilted frames (optional)



Clamping of small units



magnetic shoes for presquared components (optional)



clamping beams on sliding rails for easy manipulation



swivel shoes for triangle up to 45* (optional)



Hydraulic pump
 – self locking pins



Two pressure gauges for vertical and horizontal direction



Soukup America Inc.
21 Parkway, Ridgway CO 81432 USA
Tel.: +1 855 486 8587, E-mail: info@soukupamerica.com
www.soukupamerica.com